



New Product Introduction

Tankless D.C Air Compressor

August 2, 2017

Ino Corporation Co., Ltd

Tankless D.C Air Compressor

Tankless D.C Air Compressor, a new product that sets new standards for air compressor in heavy equipment and commercial trucks.

***A compact size
with no Air tank!***

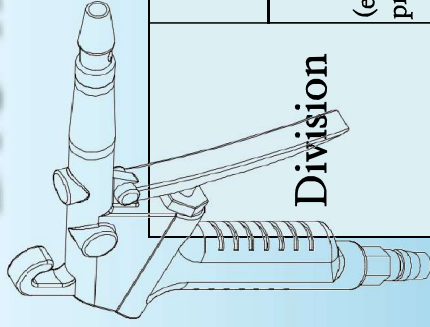


Devisision	Length	Width	Height	Volume	Weight
Cased	39.4cm	13.9cm	20.8cm	11,391cm ³	12.0kg
Non-cased	39.4cm	13.9cm	20.8cm	11,391cm ³	10.5kg

※ 70% or more than the product standard volume in the market, 30% or more weight reduction.

Tankless D.C Air Compressor

The best performance with a double-head compressor, powerful D.C motor, and special air-gun!



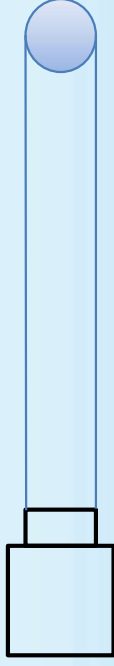
Basic performance of the product(based on DC24V)

Division	Air pressure (equilibrium maintaining pressure up to maximum pressure)	Air discharge amount	Sustainable time (3 bar,150 LPM , or more)	Air charge time	Recharging time
Product in market (with a Tank)	1.5 bar~9.5 bar	70 LPM~310 LPM	40 sec	Approximately 210 sec	Approximately 140 sec
New product (tankless)	3 bar~10 bar	200 LPM~350 LPM	infinity	Approximately 5 sec	none

Tankless D.C Air Compressor

Difference in air spraying method

(Product in the market)



Straight and point jet type

- Inefficient at work
- Non-safe work due to high-pressure spraying of the point jet
- Uneconomical due to the balloon burst effect

(New product)



Intake and Round-spread jet type

- Greater efficiency due to spray angle
- Ensures safety with a spreading effect when spraying
- Highly economical due to the air intake effect

