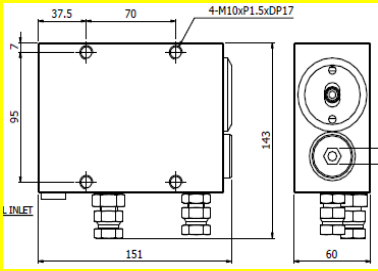
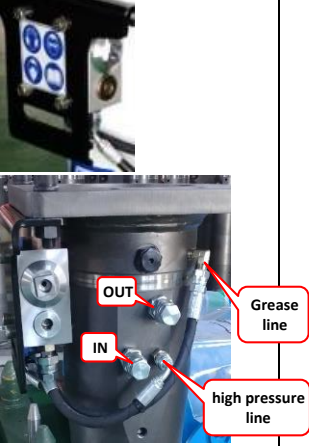

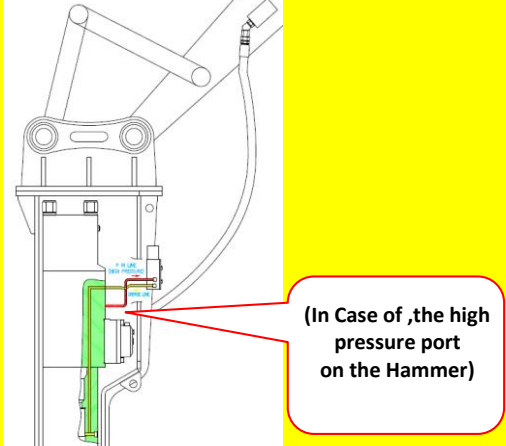
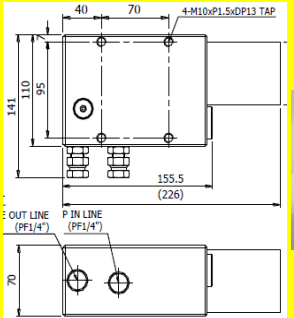

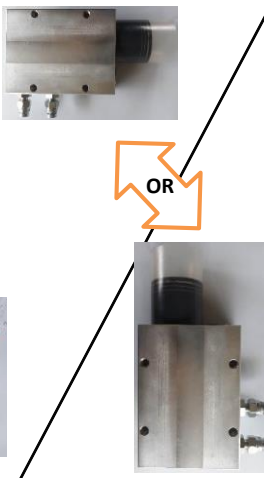

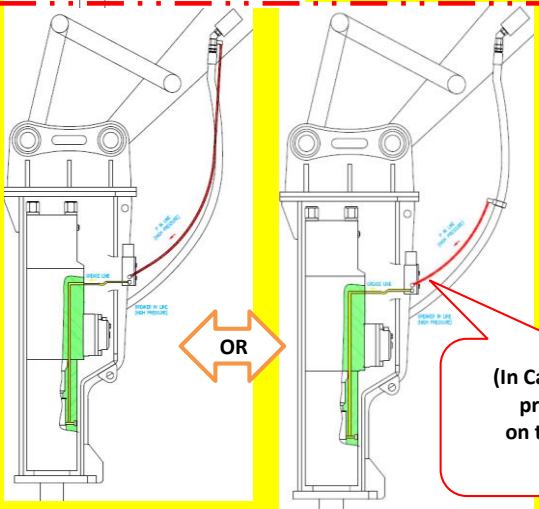


***P1-140 & N1-400 information**

Model	Features	Direction of install	Way of connection For GBP model	Other Way of connection [For all Breakers !!!]	Remarks
<p>P1-140</p>	<p>1)operated by high pressure. =>perfect delivery the grease! 2)No cartridge change. => Economy ! 3)All install-direction possible. => Easy to install !</p> 	 <p>* All direction possible</p>			<p>New</p> <p>*1-High pressor line (No Low pressure line) * 1- Grease line</p>
<p>N1-400</p>	<p>1)operated by high pressure. =>perfect delivery the grease! 2)Cartridge change. => Easy to re-fill ! (The cartridge is Interlube & FUCHS.) 3)All install-direction possible. => Easy to install !</p>  	 <p>* All direction possible</p>			<p>New</p> <p>*1-High pressor line (No Low pressure line) * 1- Grease line</p>

*** Could install all other Hammers & Attachment.**


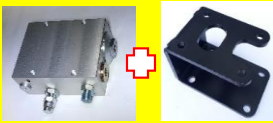

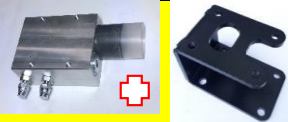


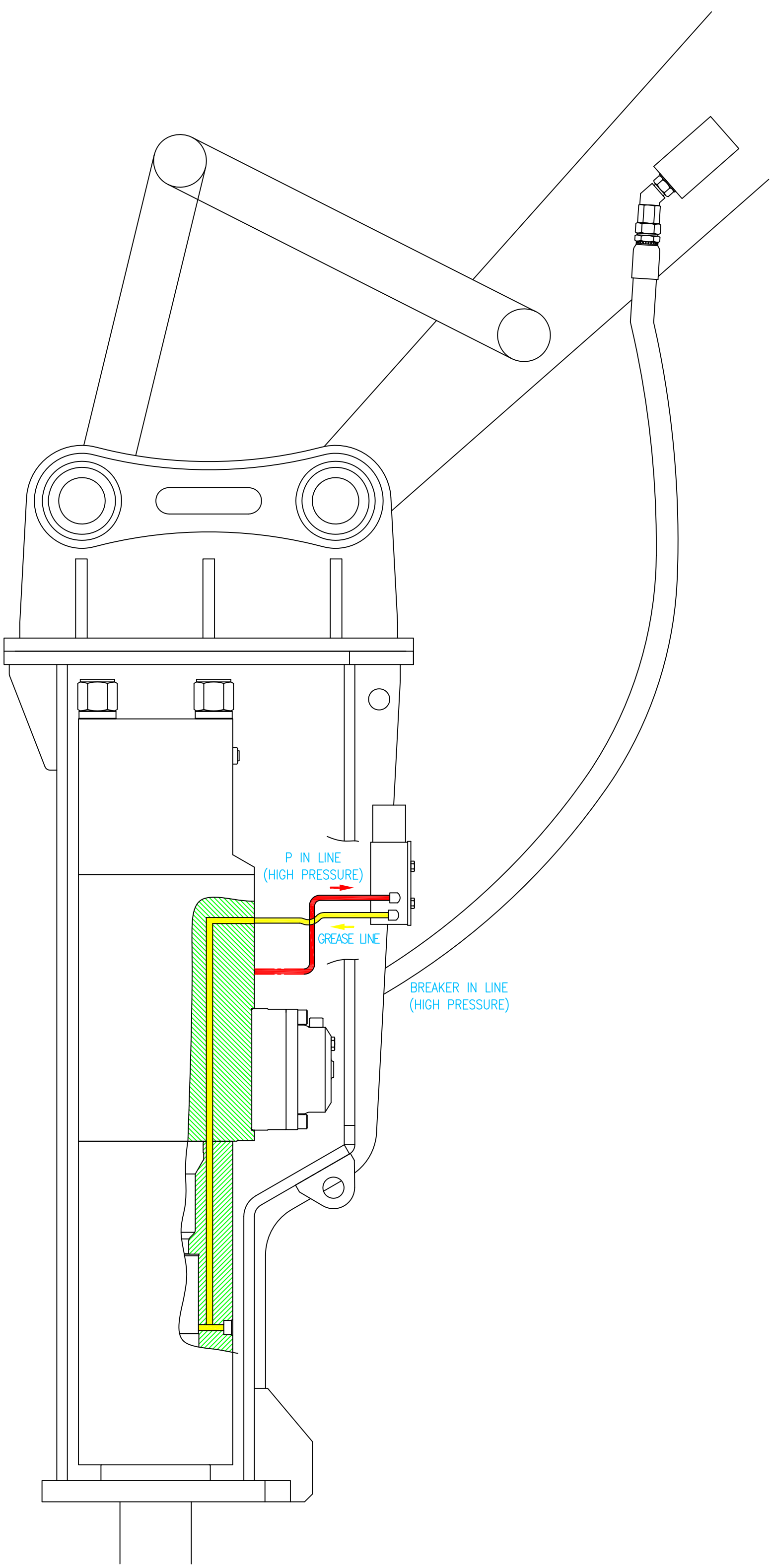
GB Industries Co.,Ltd-Europe Branch

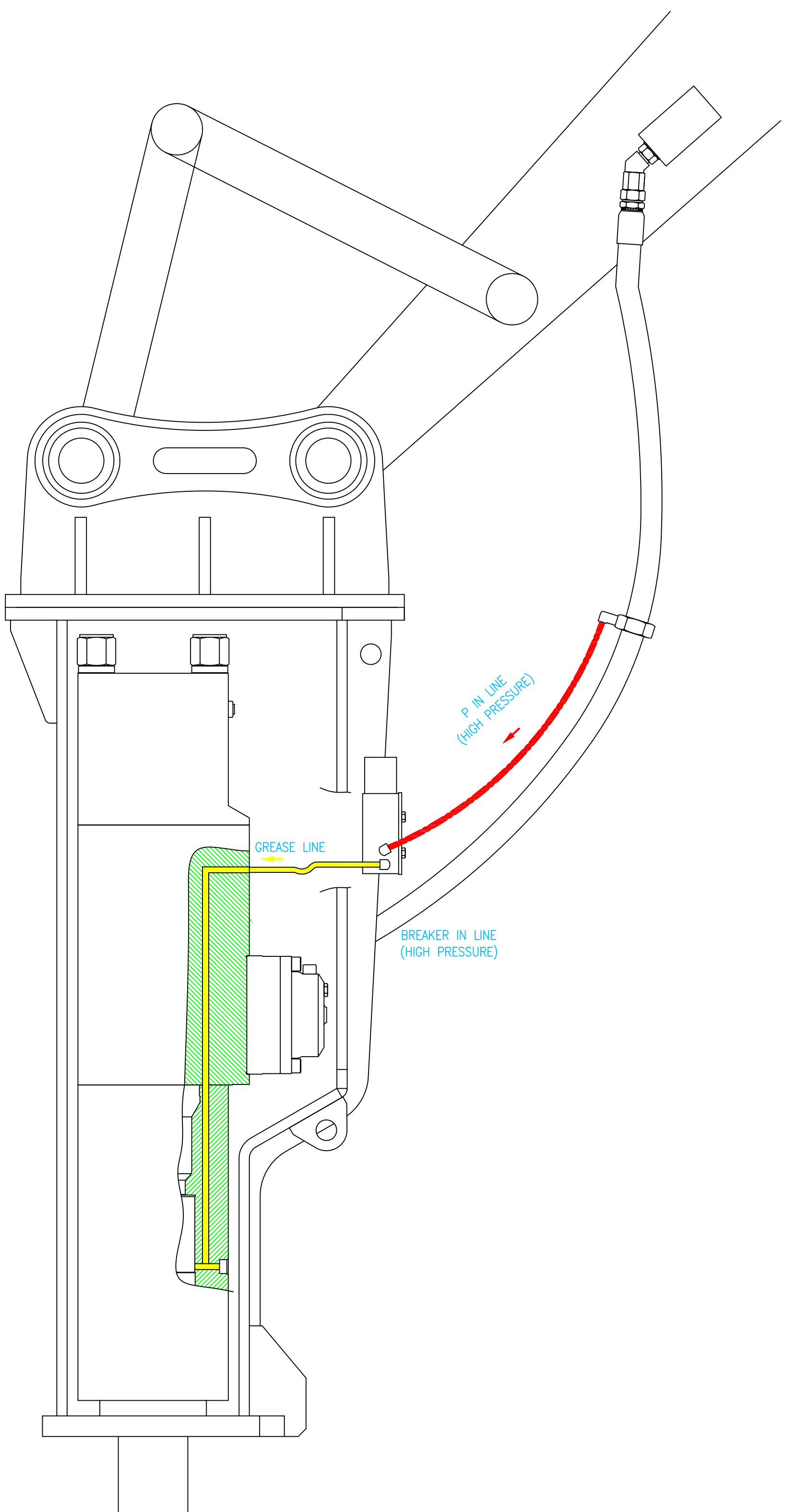
Bovendijk 218,3045PD, Netherland

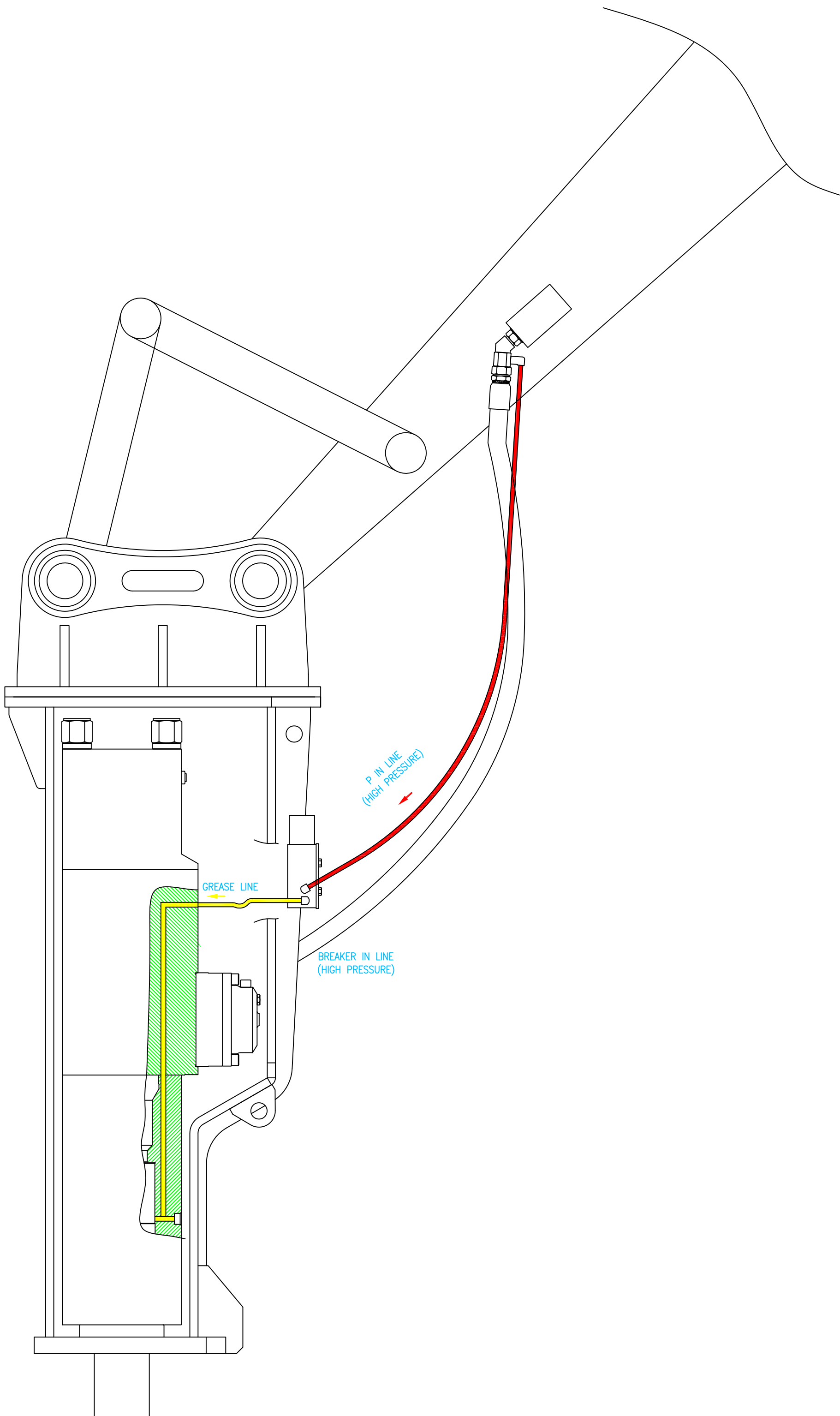
Tel : +31 10 418 9824/ Fax : +31 10 422 4380/ E-mail :jang@gbhammer.nl

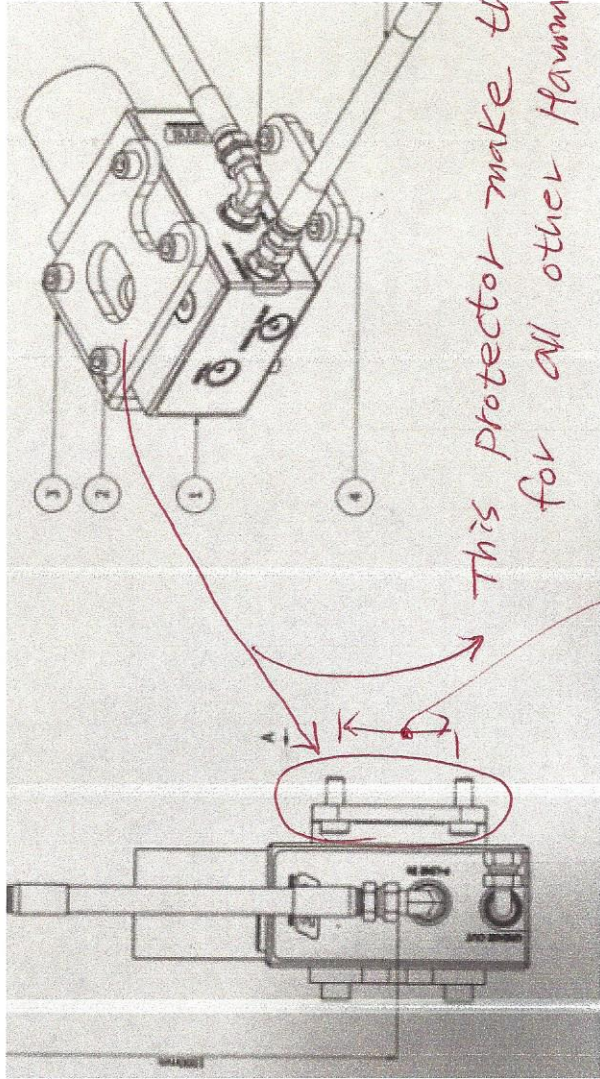
*Products Code

Model Name	Photos	Code	Apply Model(GB)	Remarks	Install Base plate Code
P1-140	 <p>* With Bracket & Hose and Bolts</p>	<p>GP010000 (Auto grease pump) + Accessories (See the accessories codes)</p>	<p>GBP10~GBP43 & Atlas copco: SB52,SB102 SB202,SB302</p>	<p>* Accessories : GP019001 : FOR GBP10 GP019002 : FOR GBP20 GP019003 : FOR GBP30 GP019005 : FOR GBP35,40 GP019006 : FOR GBP43</p>	<p>These Auto-grease pumps launched at Bauma Y2019 !!!</p>
	 <p>* With Bracket set Without Hose and Bolts !</p>	<p>GP010000 (Auto grease pump) + GP019009 (Bracket set)</p>	<p>All other brands of Hammer & All Attachment</p>	<p>* Supplied the Auto grease pump +Bracket set only.</p>	<p>New</p>
N1-400	 <p>* With Bracket & Hose and Bolts</p>	<p>GP020000 (Auto grease pump) + Accessories (See the accessories codes)</p>	<p>GBP10~GBP43 & Atlas copco: SB52,SB102 SB202,SB302</p>	<p>* Accessories : GP019001 : FOR GBP10 GP019002 : FOR GBP20 GP019003 : FOR GBP30 GP019005 : FOR GBP35,40 GP019006 : FOR GBP43</p>	<p>These Auto-grease pumps launched at Bauma Y2019 !!!</p>
	 <p>* With Bracket set Without Hose and Bolts !</p>	<p>GP020000 (Auto grease pump) + GP019009 (Bracket set)</p>	<p>All other brands of Hammer & All Attachment</p>	<p>* Supplied the Auto grease pump +Bracket set only.</p>	<p>New</p>
AG90025	Auto grease catradge (400g)	AG90025	1 box (20EA)		<p>The catradge Inter changeable with "FUCHS"</p>









This protector make this grease pump
for all other Hammers !!

You could make Hole
depend on your hammer

GB Grease pump photos Vs Atlascopco pump photos

